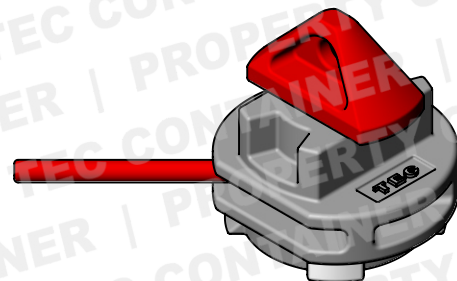
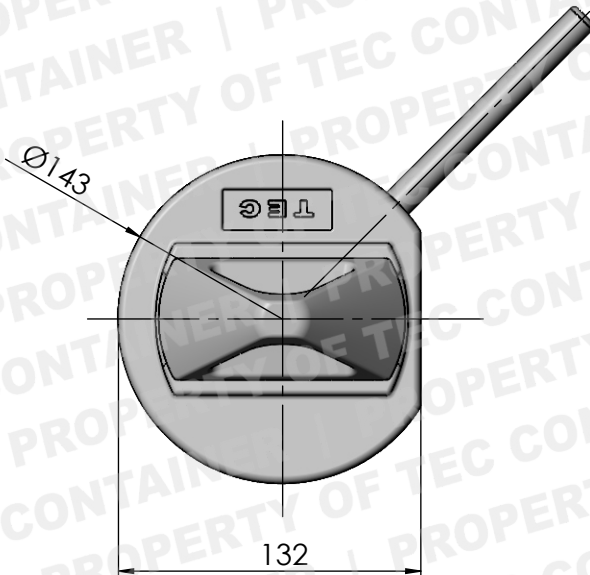
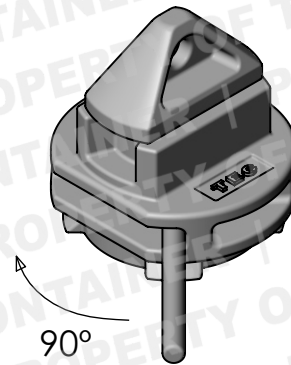
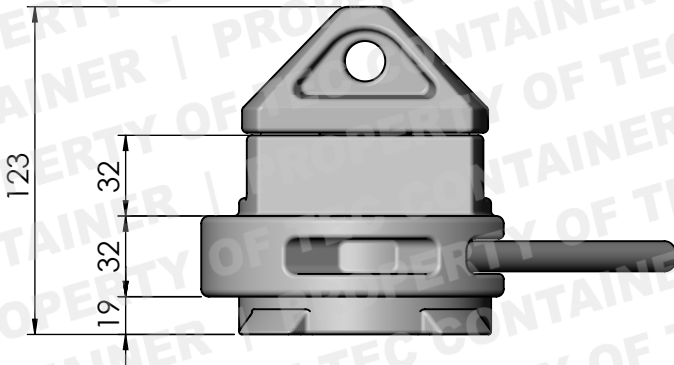
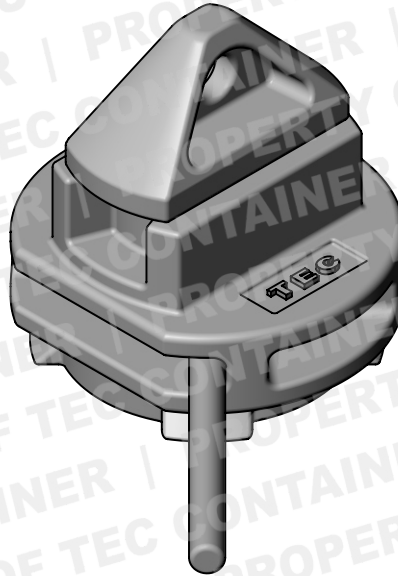




**LASHING**  
EQUIPMENT.COM®  
by TEC CONTAINER Since 1976



This drawing is valid for commercial purposes only and must not be copied, disclosed or used without our permission

Material:	Ductile Iron (housing)	
	Drop forged (cone)	
Weight:	4.8 kg	
SWL Tension	250 kN	SWL Shear 210 kN
BL Tension	500 kN	BL Shear 420 kN

TEC CONTAINER S.A.  
+ 34 91 302 16 38  
[lashingequipment.com](http://lashingequipment.com)  
[teccontainer.com](http://teccontainer.com)  
[info@lashingequipment.com](mailto:info@lashingequipment.com)



Description:

**BREECH BASE  
TWISTLOCK**

Reference:

**CB-21-10C (L)**

Real pieces might have variations in details such as weight and sizes