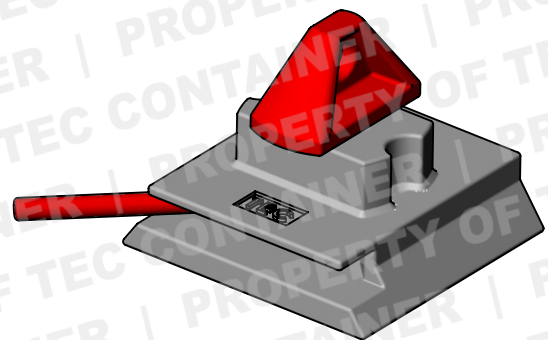
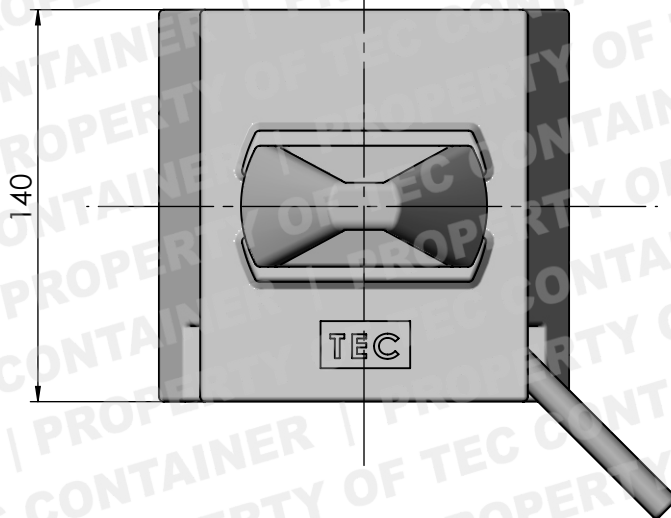
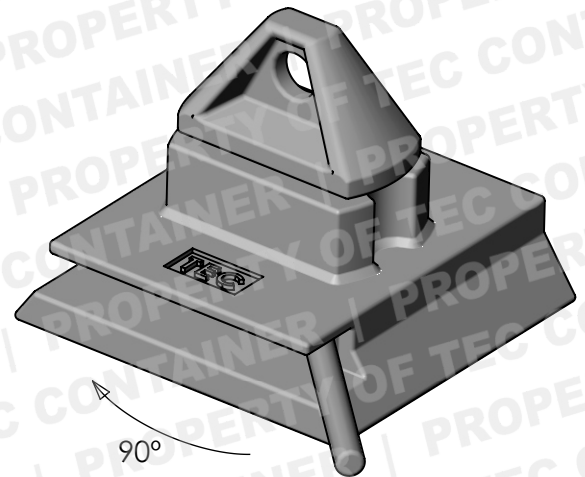
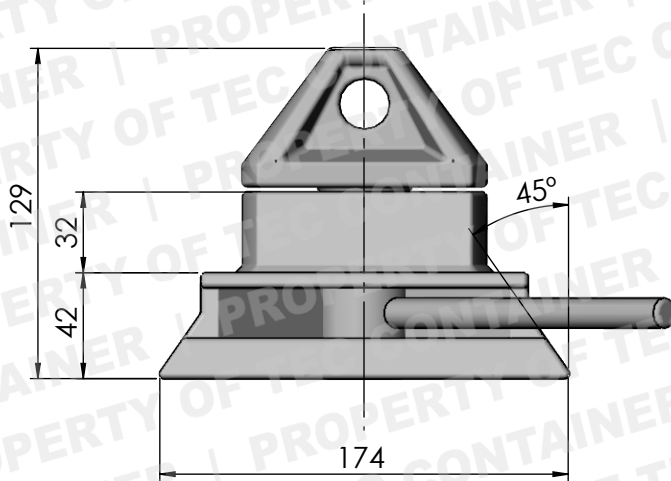
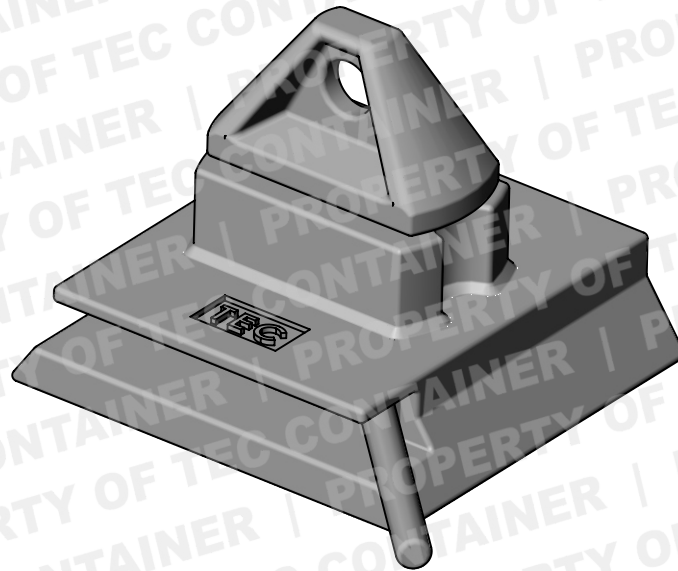




**LASHING**  
EQUIPMENT.COM®  
by TEC CONTAINER Since 1976



This drawing is valid for commercial purposes only and must not be copied, disclosed or used without our permission

Material: Ductile Iron (housing)  
Drop forged (cone)

Weight: 6.67 kg

SWL Tension	250 kN	SWL Shear	210 kN
BL Tension	500 kN	BL Shear	420 kN

TEC CONTAINER S.A.  
+ 34 91 302 16 38  
[lashingequipment.com](http://lashingequipment.com)  
[teccontainer.com](http://teccontainer.com)  
[info@lashingequipment.com](mailto:info@lashingequipment.com)



Description:

**DOVETAIL BASE  
TWISTLOCK  
(transversal)**

Reference:

**CB-25-1G**

Real pieces might have variations in details such as weight and sizes