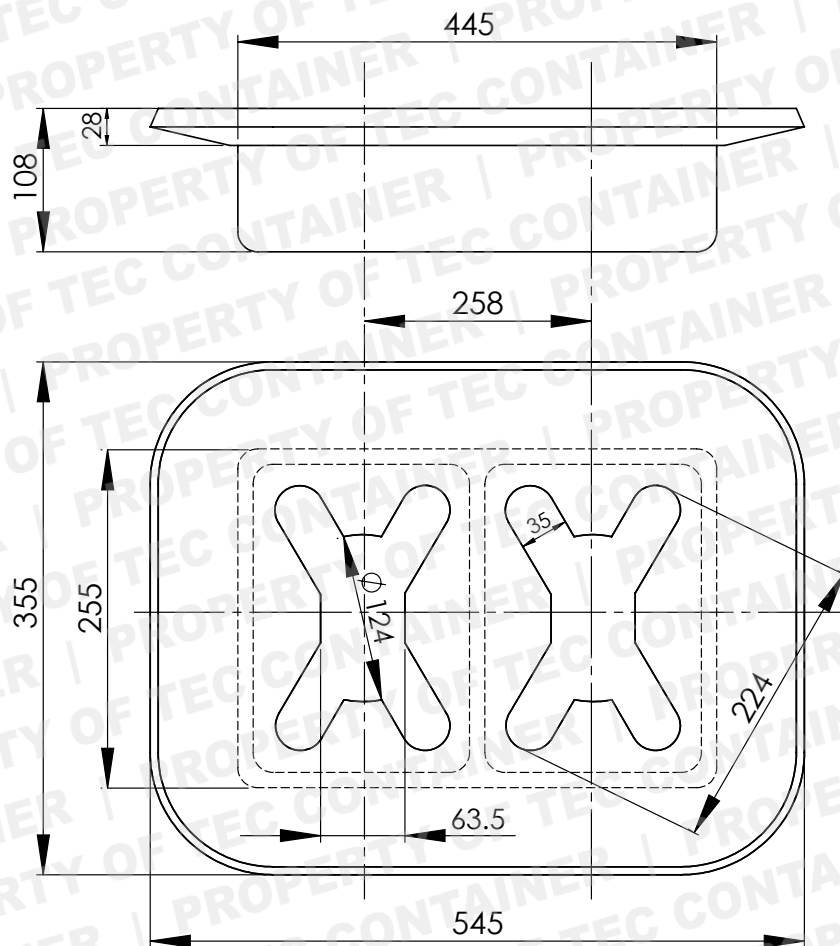
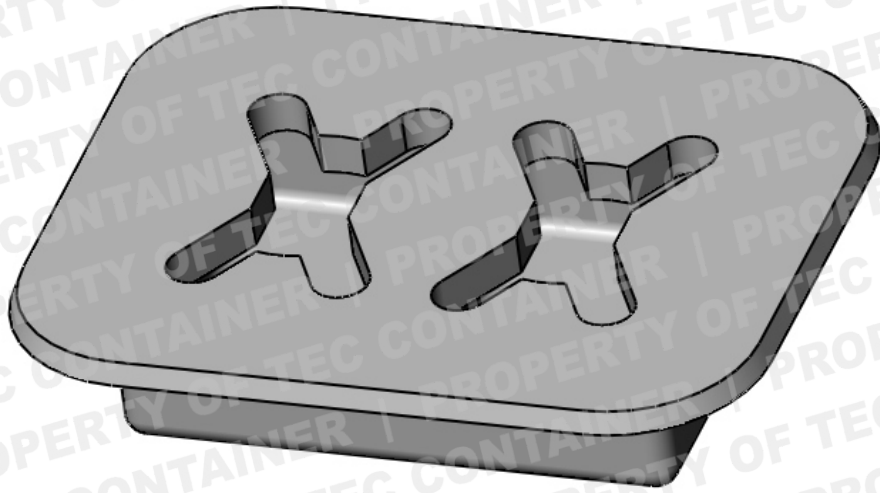




LASHING
EQUIPMENT.COM[®]
by TEC CONTAINER Since 1976



This drawing is valid for commercial purposes only and must not be copied, disclosed or used without our permission

| | | |
|---------------|----------------|-------------------------|
| Material: | Weldable steel | |
| Weight: | 46 kg | |
| SWL Container | 150 kN | SWL Elephant ft. 100 kN |
| BL Container | 300 kN | BL Elephant ft. 200 kN |

TEC CONTAINER S.A.
+ 34 91 302 16 38
lashingequipment.com
teccontainer.com
info@lashingequipment.com



Description:

**DOUBLE TRANSVERSAL
STACKING FOUNDATION**

Reference:

FE-38E-2(80)

Real pieces might have variations in details such as weight and sizes