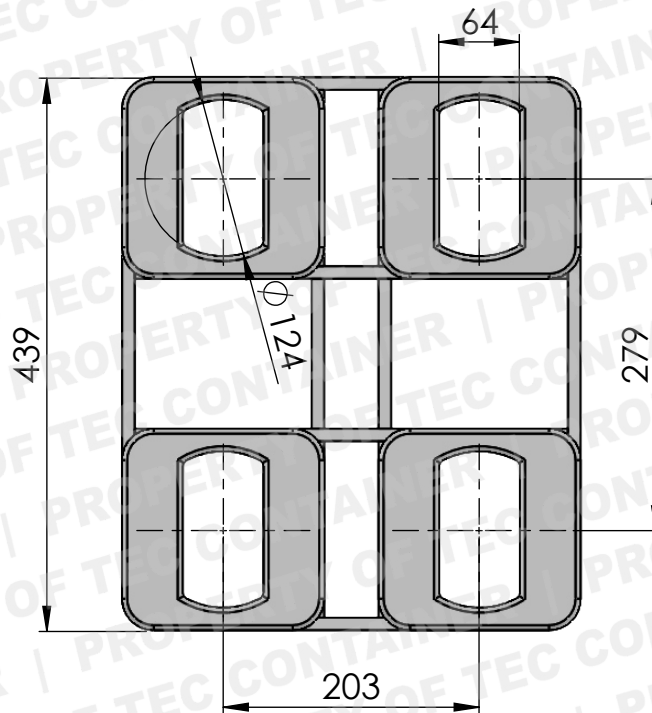
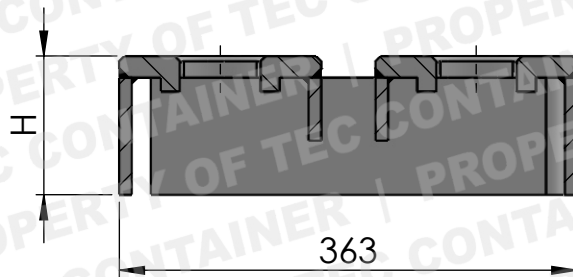
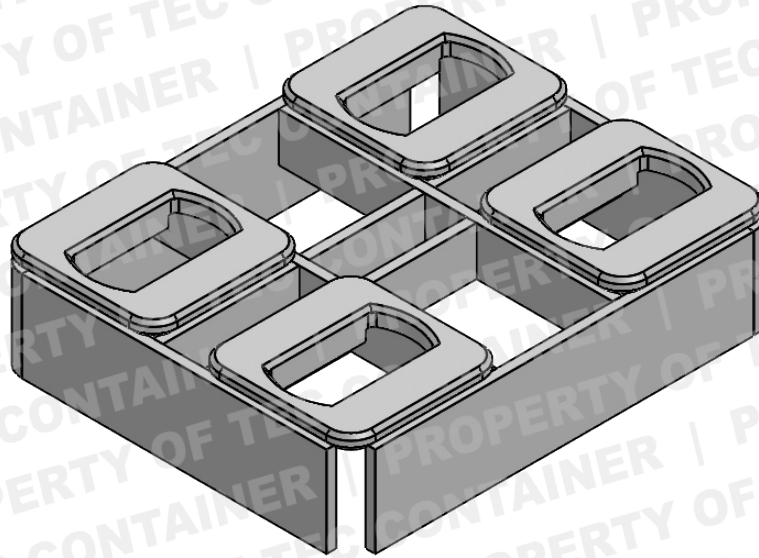




LASHING
EQUIPMENT.COM[®]
by TEC CONTAINER Since 1976



This drawing is valid for commercial purposes only and must not be copied, disclosed or used without our permission

Material: **High tensile steel**

Weigh: **26 kg**

SWL Tension	250 kN	SWL Shear	210 kN
BL Tension	500 kN	BL Shear	420 kN

TEC CONTAINER S.A.
+ 34 91 302 16 38
lashingequipment.com
teccontainer.com
info@lashingequipment.com



Description:

**QUADRUPLE TRANSVERSAL
RAISED FOUNDATION**

Reference:

FE-72-4(25)

Real pieces might have variations in details such as weigh and sizes