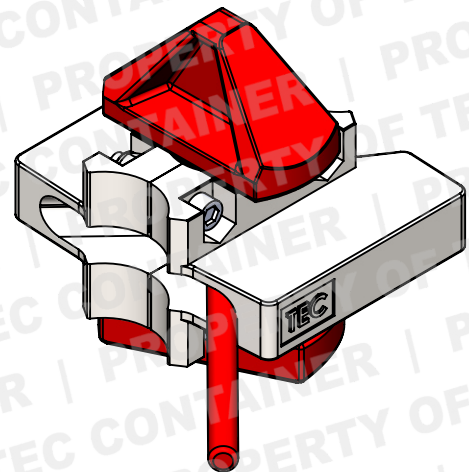
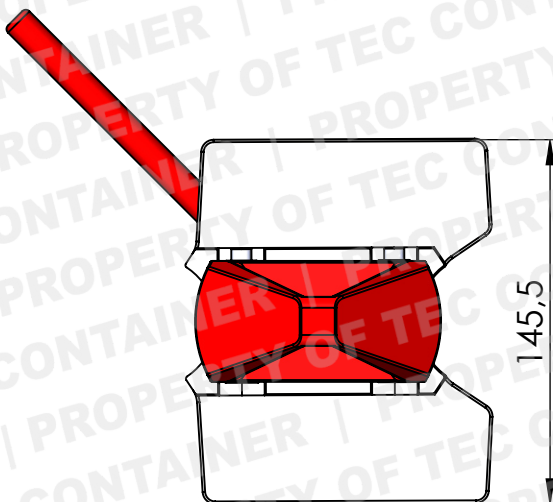
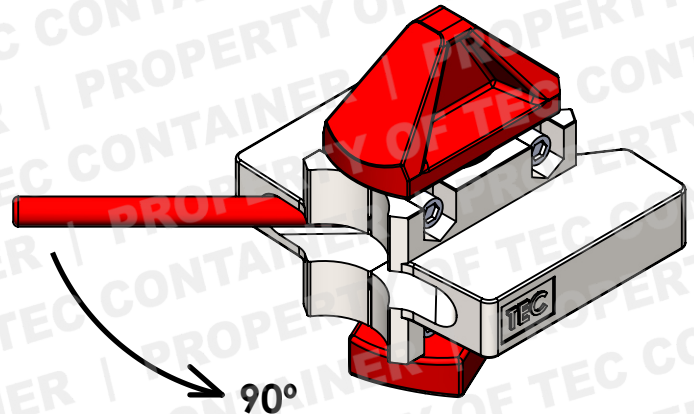
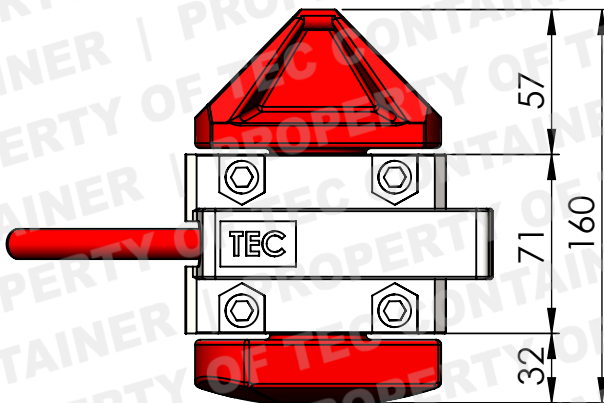
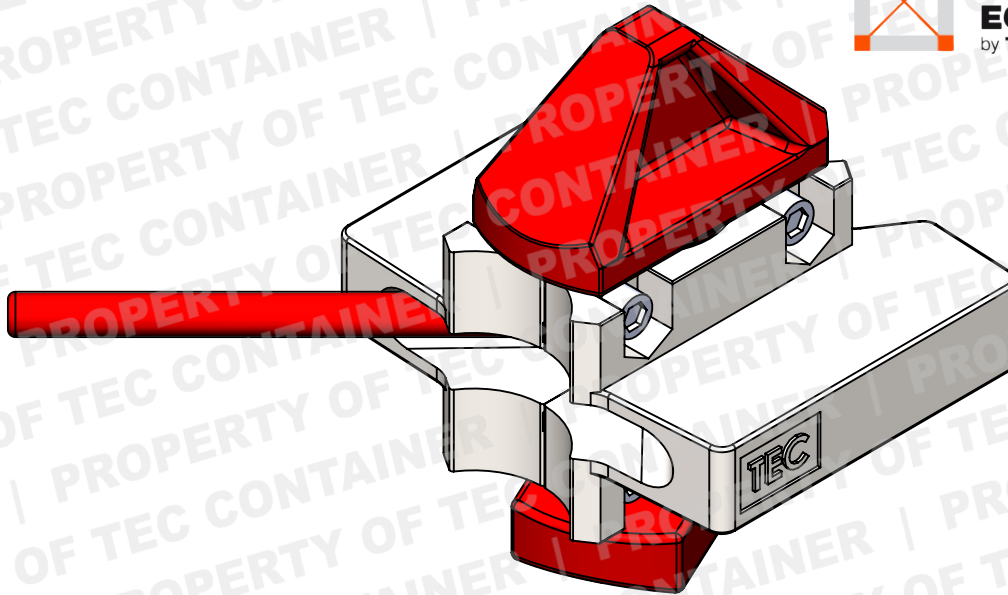




LASHING
EQUIPMENT.COM®
by TEC CONTAINER Since 1976



This drawing is valid for commercial purposes only and must not be copied, disclosed or used without our permission

Material: Ductile Iron (housing)
Drop forged (cone)

Weight: 6 kg

SWL Tension	250 kN	SWL Shear	210 kN
BL Tension	500 kN	BL Shear	420 kN

TEC CONTAINER S.A.
+ 34 91 302 16 38
lashingequipment.com
teccontainer.com
info@lashingequipment.com



Description:

WIDE BODY TWISTLOCK

Reference:

CI-55-1R

Real pieces might have variations in details such as weight and sizes