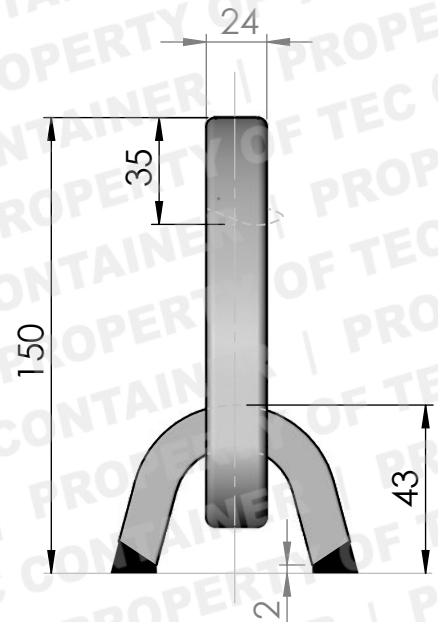
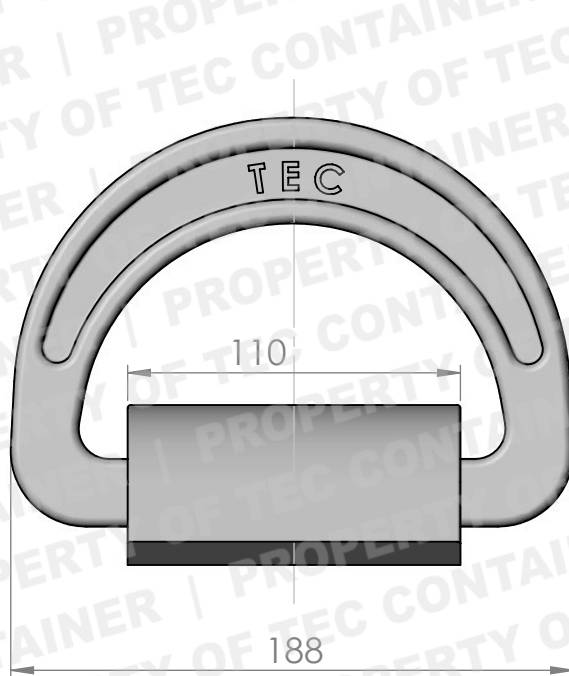




LASHING
EQUIPMENT.COM®
by TEC CONTAINER Since 1976



This drawing is valid for commercial purposes only and must not be copied, disclosed or used without our permission

Material: High Tensile Steel

Weight: 3.0 kg

SWL 180 kN

BL 360 kN

TEC CONTAINER S.A.
+ 34 91 302 16 38
lashingequipment.com
teccontainer.com
info@lashingequipment.com



Description:

D-RING WITH STRAP

Reference:

FA-01-1(36)

Real pieces might have variations in details such as weight and sizes