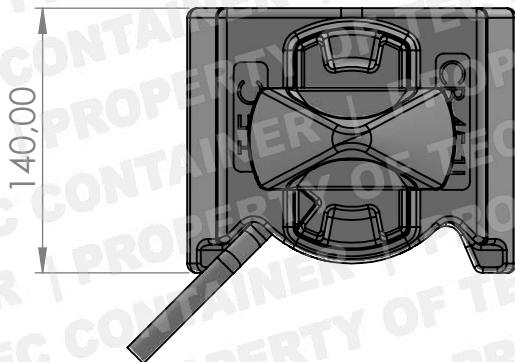
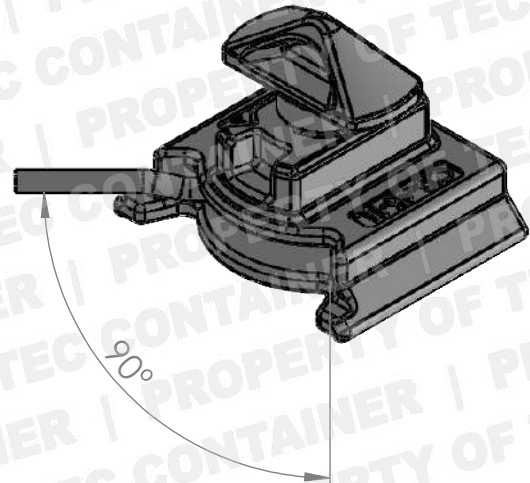
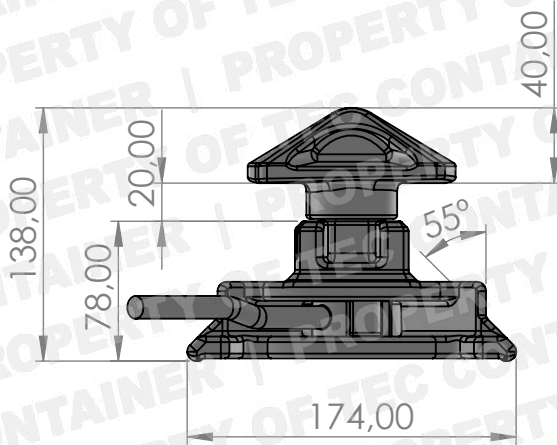


This drawing is valid for commercial purposes only and must not be copied, disclosed or used without our permission



Material: Steel ISO 3755-1991 grade 340-550 (housing)  
Steel ISO 683-1 grade C45 (cone)

Weight: 7,53 kg

SWL Tension	250 kN	SWL Shear	210kN
-------------	--------	-----------	-------

BL Tension	500 kN	BL Shear	420kN
------------	--------	----------	-------

TEC CONTAINER S.A.  
+ 34 91 302 16 38  
[lashingequipment.com](http://lashingequipment.com)  
[teccontainer.com](http://teccontainer.com)  
[info@lashingequipment.com](mailto:info@lashingequipment.com)



Description:

**LINE LOAD  
TWISTLOCK**

Reference:

**CB-55-1L**