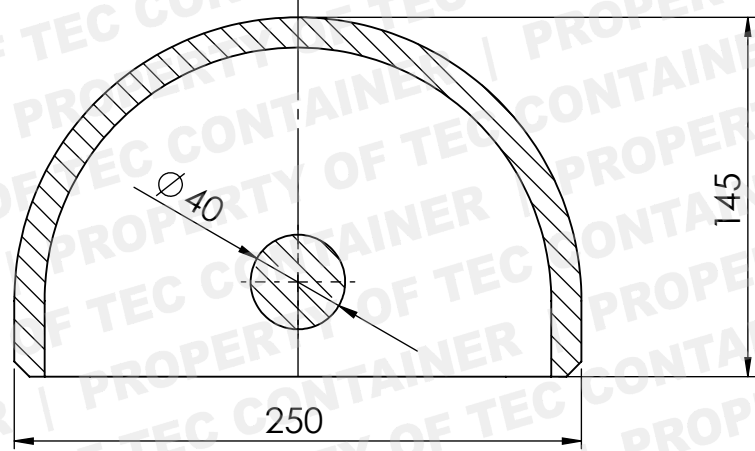
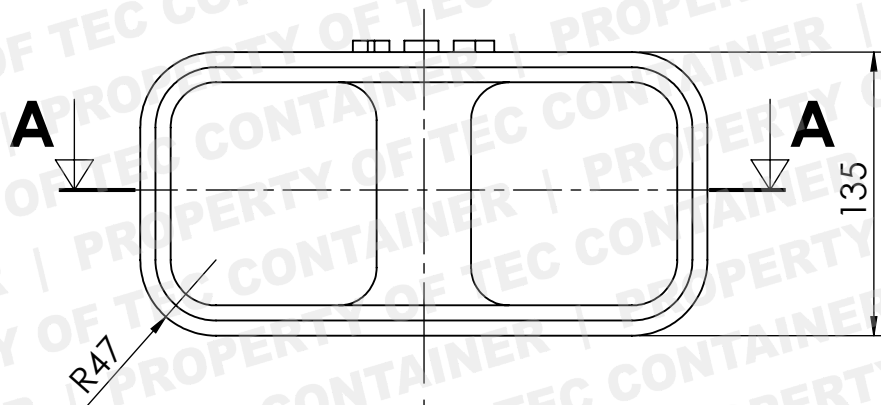
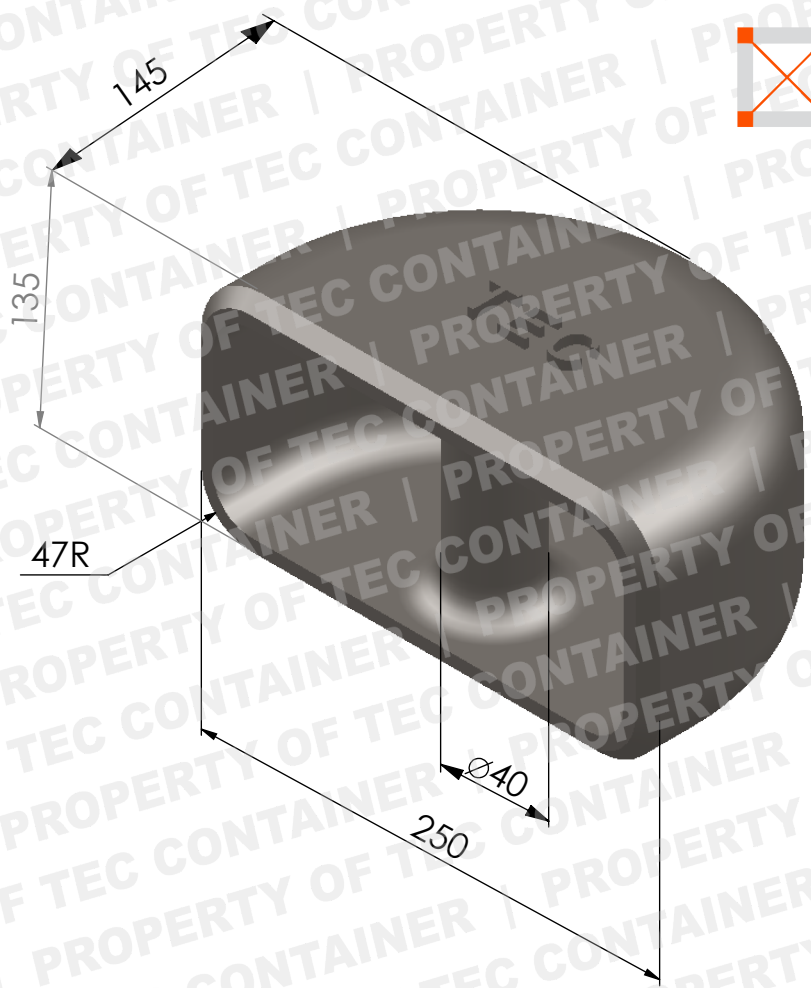


This drawing is valid for commercial purposes only and must not be copied, disclosed or used without our permission



LASHING
EQUIPMENT.COM[®]
by TEC CONTAINER Since 1976



SECCIÓN A-A

Material:	S 355 J2
Weight:	11 kg
SWL	180 kN
BL	360 kN

TEC CONTAINER S.A.
+ 34 91 302 16 38
lashingequipment.com
teccontainer.com
info@lashingequipment.com



Description:	LASHING POT
Reference:	FA-03-1U

Real pieces might have variations in details such as weight and sizes